

METRIC DIMENSIONS

RACER MODEL	A	B	C	D	E	WEIGHT (kg)	WEIGHT (lb)	BOAT LENGTH	STERN ANCHOR
R1	430	260	250	85	115	1.0	2.2	10 - 15 ft	575
R2	490	280	275	90	115	1.2	2.7	15 - 20 ft	575
R3	545	315	310	100	115	1.5	3.3	20 - 25 ft	575
R4	660	380	375	120	155	3.4	7.5	25 - 30 ft	575
R5	725	420	410	130	155	3.6	8.0	30 - 35 ft	575
R6	800	520	460	170	155	4.5	10	35 - 40 ft	575
R7	890	615	545	180	185	10.5	23	40 - 46 ft	575
R8	985	730	575	190	185	11.4	25	43 - 49 ft	575
R9	1080	755	635	210	235	14.7	32	46 - 52 ft	575
R10	1175	830	700	230	235	16.2	35	49 - 55 ft	575
(R11)	1295	860	765	250	235	TBA	TBA	60 - 65 ft	575
(R12)	1395	900	845	270	235	TBA	TBA	65 - 70 ft	575

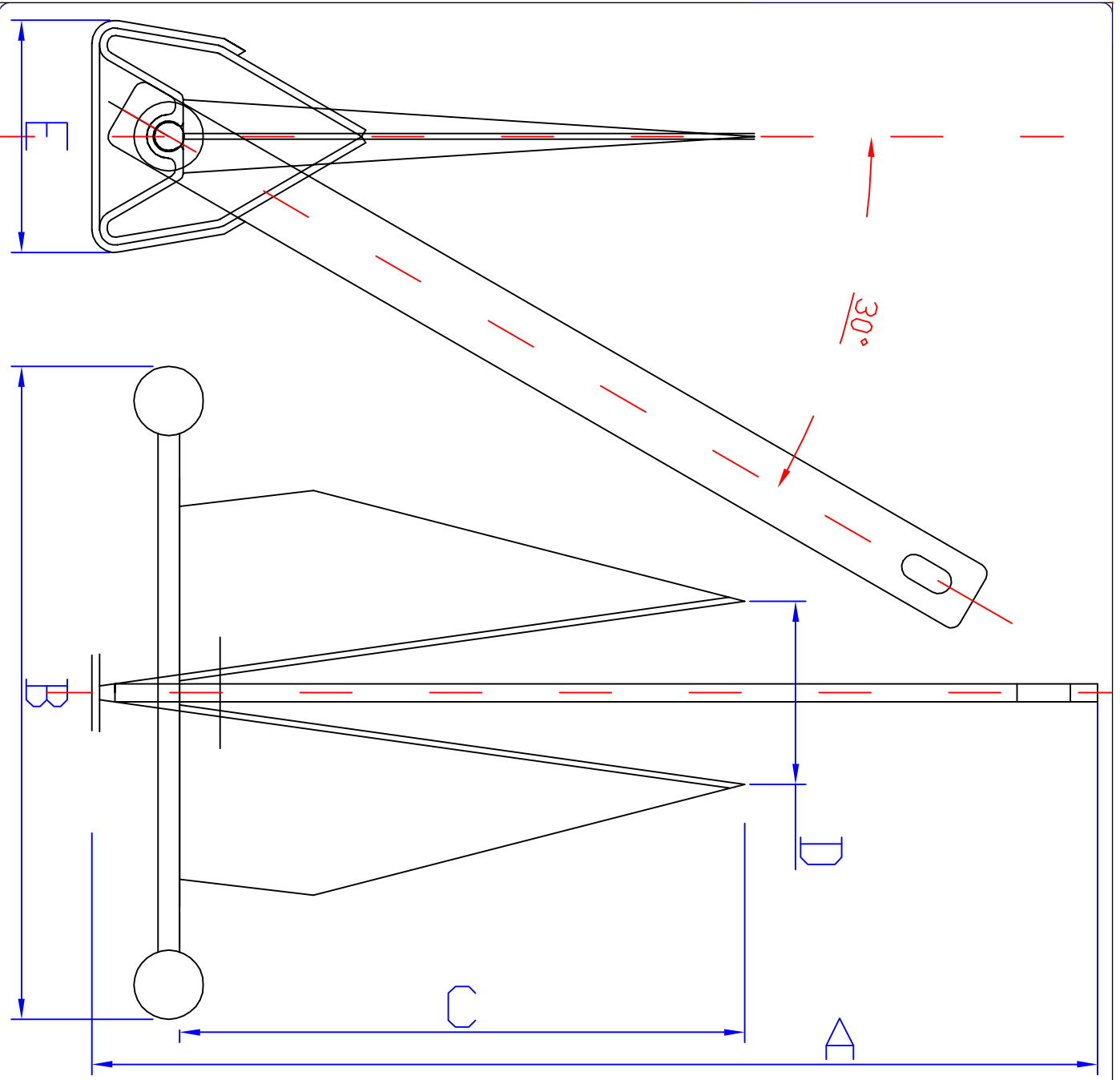
NOTE 1: THE RACER SIZING IS RECOMMENDED FOR RACING YACHTS WHICH ARE PREDOMINANTLY VERY LIGHT DISPLACEMENT. THESE SIZES SHOULD NOT BE TAKEN AS ACCURATE FOR LAUNCHES OR CRUISING YACHTS.

NOTE 2: STERN ANCHOR SIZING IS BASED ON BOAT DISPLACEMENT, IF IN DOUBT, OPT FOR THE NEXT SIZE UP, OR EMAIL MANSON

NOTE 3: STERN ANCHOR SIZING IS BASED ON BOAT DISPLACEMENT, IF IN DOUBT, OPT FOR THE NEXT LARGEST SIZE.

IMPERIAL DIMENSIONS

RACER MODEL	A	B	C	D	E	WEIGHT (kg)	WEIGHT (lb)	BOAT LENGTH	STERN ANCHOR
R1	17	10 $\frac{1}{4}$	9 $\frac{3}{4}$	3 $\frac{1}{4}$	4 $\frac{1}{2}$	1.0	2.2	10 - 15 ft	575
R2	19 $\frac{1}{4}$	11	10 $\frac{3}{4}$	3 $\frac{1}{2}$	4 $\frac{1}{2}$	1.2	2.7	15 - 20 ft	575
R3	21 $\frac{1}{2}$	12 $\frac{1}{2}$	12 $\frac{1}{4}$	4	4 $\frac{1}{2}$	1.5	3.4	20 - 25 ft	575
R4	26	15	14 $\frac{3}{4}$	4 $\frac{3}{4}$	6	3.4	7.5	25 - 30 ft	575
R5	28 $\frac{1}{2}$	16 $\frac{1}{2}$	16 $\frac{1}{4}$	5	6	3.6	8.0	30 - 35 ft	575
R6	31 $\frac{1}{2}$	19 $\frac{3}{4}$	18	6	6	4.5	10	35 - 40 ft	575
R7	35 $\frac{3}{4}$	26 $\frac{3}{4}$	21 $\frac{1}{2}$	7	7 $\frac{1}{4}$	10.5	23	40 - 46 ft	575
R8	38 $\frac{3}{4}$	28 $\frac{3}{4}$	22 $\frac{3}{4}$	7 $\frac{1}{2}$	7 $\frac{1}{4}$	11.4	25	43 - 49 ft	575
R9	42 $\frac{1}{2}$	29 $\frac{3}{4}$	25	8 $\frac{1}{4}$	9 $\frac{1}{4}$	14.7	32	46 - 52 ft	575
R10	46 $\frac{1}{4}$	32 $\frac{3}{4}$	27 $\frac{1}{2}$	9	9 $\frac{1}{4}$	16.2	35	49 - 55 ft	575
R11	51	33 $\frac{3}{4}$	30	9 $\frac{3}{4}$	9 $\frac{1}{4}$	TBA	TBA	60 - 65 ft	575
R12	55	35 $\frac{1}{2}$	33 $\frac{1}{4}$	10 $\frac{3}{4}$	9 $\frac{1}{4}$	TBA	TBA	65 - 70 ft	575



REVISIONS		NOTES	
1	DETAILS	DATE	BY
2			
3			
4			
5			
6			
7			
8			
9			
10			

NOTES	
SCALE:	N 1:1
PAPER SIZE:	A3
DATE ISSUED:	22/06/09
CLIENT REFERENCE:	MANSON
MAN'S ON SITE:	Paul Atkey

RACER ANCHOR GENERIC DIMENSIONS

MANSON ANCHORS
 Mail: PO Box 104 035, Lincoln North
 Physical: 14 Paramount Drive
 Henderson, Auckland
 New Zealand
 P: +649 835 0948 F: +649 835 0481
 E: info@mansonanchors.com www.mansonanchors.com