

MODEL 7050 2" I.D. STEERING CYLINDER



The engineering features and simple design make this a very durable cylinder. All materials used are corrosion resistant. Normally the cylinders are supplied with neoprene piston seal to provide a smooth piston movement. Heavy duty polyurethane seals are also available on request.

Materials: Brass tube and piston. End caps and bearings are silicon bronze. Piston rod is stainless steel and hard chromed.

Design Pressure: 1500 psi
(103 bar, 10.3 MPa)

Weight: 12.6 lb, (5.7 kg) for 7.5" stroke
14 lb. (6.3 kg) for 10" stroke
15 lb. (6.8 kg) for 12" stroke

Effective Piston Area: 2.69 in² (17.4 cm²)

ORDERING INFORMATION

- B - Balanced cylinder
- U - Unbalanced cylinder
- 7.5 - with 7.5" stroke
- 10 - with 10" stroke
- 12 - with 12" stroke

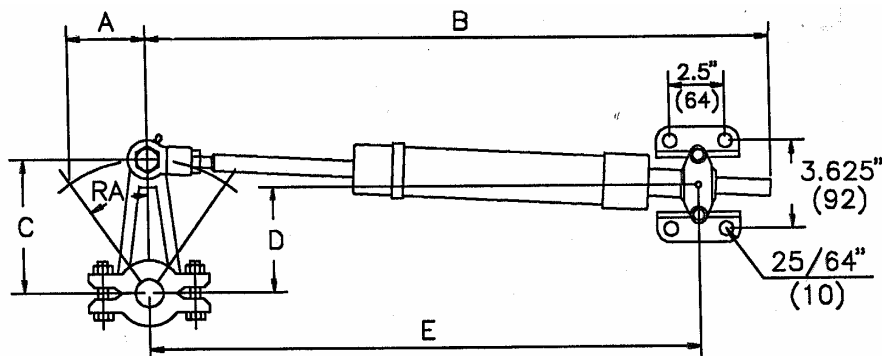
Example: 7050-B7.5 is for balanced steering cylinder with 7.5" stroke

Note: Other strokes are available on request

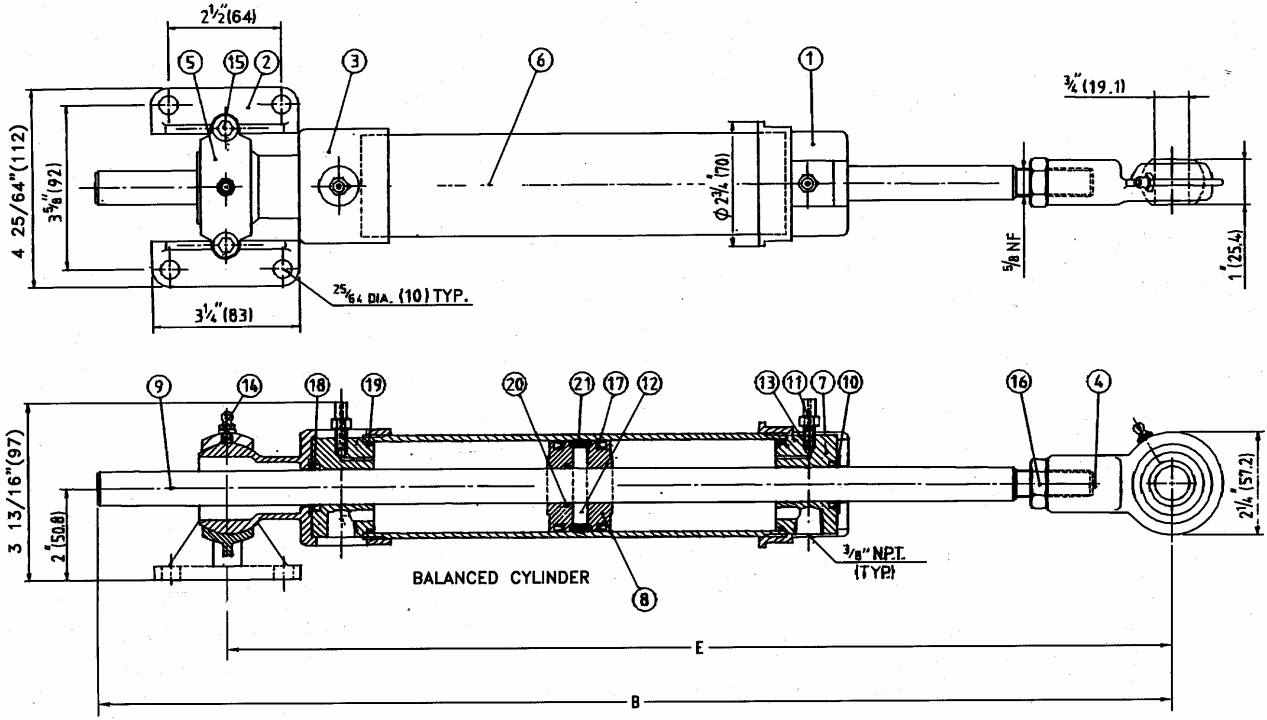
Rudder angle (RA) 35°

Torque		Stroke		Displacement		A		B		C		D		E	
ft-lb	kg-m	in.	mm	ln ³	cm ³	in.	mm	in.	mm	in.	mm	in.	mm	in.	mm
1205	167	7.5	191	20.3	333	3.8	95	23.8	603	6.5	166	5.9	151	20.9	530
1606	222	10	254	27	442	5	127	28.8	730	8.7	221	7.9	201	24.6	625
1927	266	12	305	32.4	531	6	152	32.8	832	10.5	266	9.5	242	27.6	701

Torque is based on one balanced cylinder at 1000 psi (69 bar)



DIMENSIONS AND PARTS LIST MODEL 7050

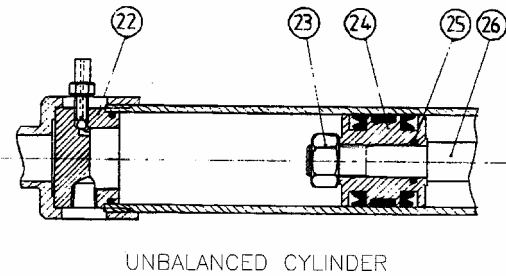


DIMENSIONS AND PARTS
MODEL 7050

All dimensions in inches (mm)

ITEM	QTY*	QTY**	ART NUMBER	DESCRIPTION
1	1	1	7050-0001	End Cap
2	1	1	7050-0002	Trunnion foot
3	1	1	7050-0003	Trunnion End Cap
4	1	1	7050-0004	Rod End
5	1	1	7050-0005	Trunnion Cap
6	1	1	7050-0006	Cylinder Tube
7	2	1	7050-0007	Rod Guide
8	1	-	7050-0008	Piston
9	1	-	7050-0009	Piston Rod
10	2	1	7050-0010	Retaining Washer
11	2	2	7040-0011	Bleeder Screw
12	1	1	7050-0012	Pin
13	2	2	1301-0005	Ball
14	2	2	1501-0301	Grease Nipple
15	2	2	1002-1224	Socket Head Screw
16	1	1	1022-0266	Jam Nut
17	2	2	1102-2029	Urethane "U" Cup (option)
17	2	2	1102-0029	Neoprene "U" Cup (standard)
18	2	1	1102-2007	"U" Cup
19	2	2	1101-0133	"O" Ring
20	1	-	1101-0018	"O" Ring
21	1	1	7050-0013	Wear Ring
22	-	1	7050-0107	Rear End Cap
23	-	1	1022-0166	Nut
24	-	1	7050-0108	Piston
25	-	1	1101-0016	"O" Ring
26	-	1	7050-0109	Piston Rod

* balanced version
** unbalanced version



UNBALANCED CYLINDER