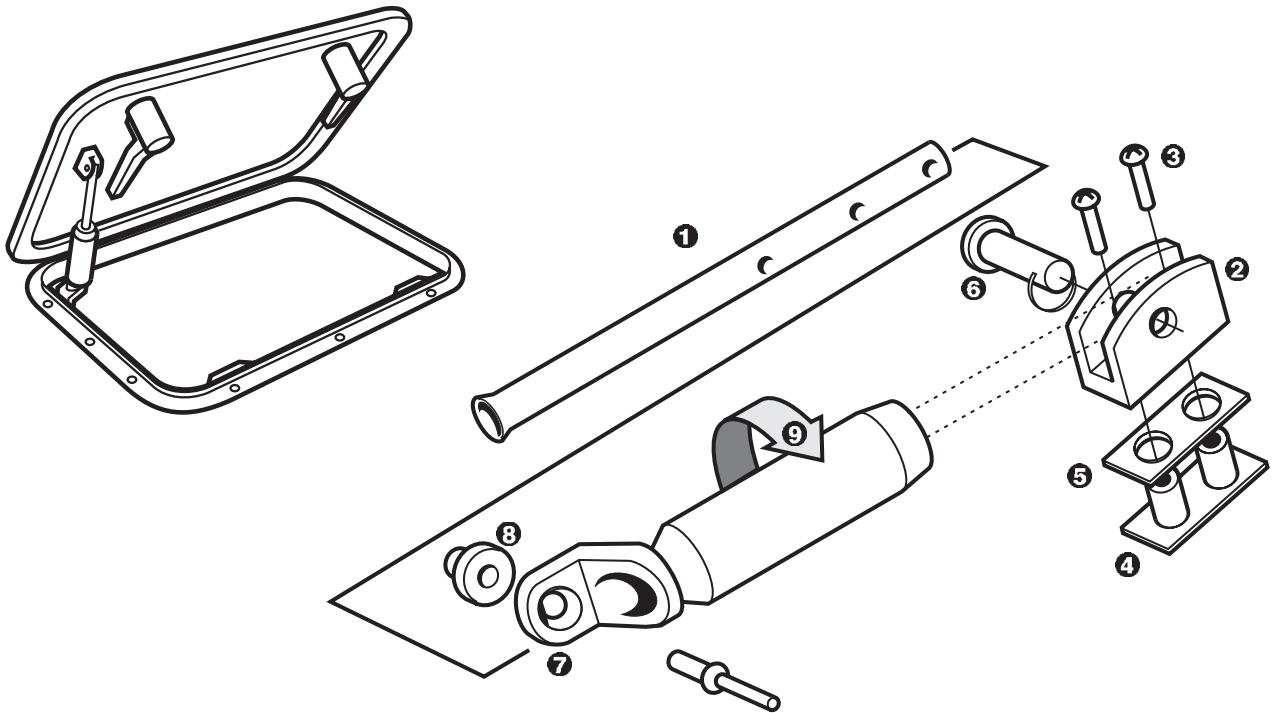


LEWMAR®

Retro-fit Hatch Stay Installation

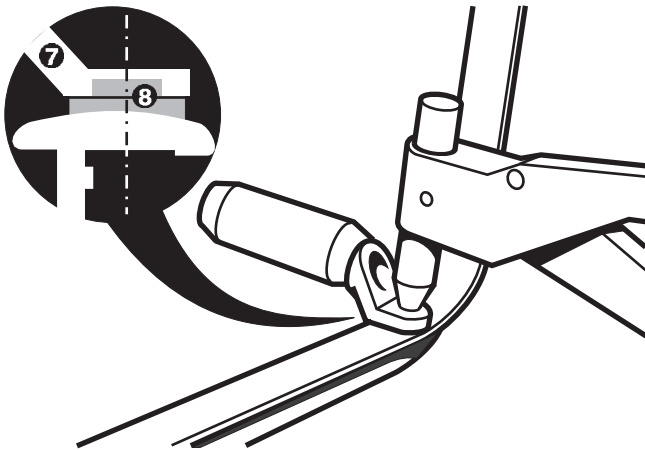
For Lewmar Low Profile Hatch Sizes 10, 30, 40, 44, 50, 54 & 60
and Medium Profile Size 70 (Two Stays Required).

- GB** 1. KEY – (1) Metal travel tube (2) Upper pivot bracket (3) Cap screws (4) Screw outer cap (5) Gasket (6) Clevis pin (7) Stay handle assembly (8) Lower pivot bush and rivet (9) Twist to lock.



INSTALLATION

- GB** 2. **Stay Handle Assembly.** Remove the factory fitted plug from the lower frame. Place the pivot bush (8) at the correct angle with the frame curve and rivet the stay handle (7) on to the frame.





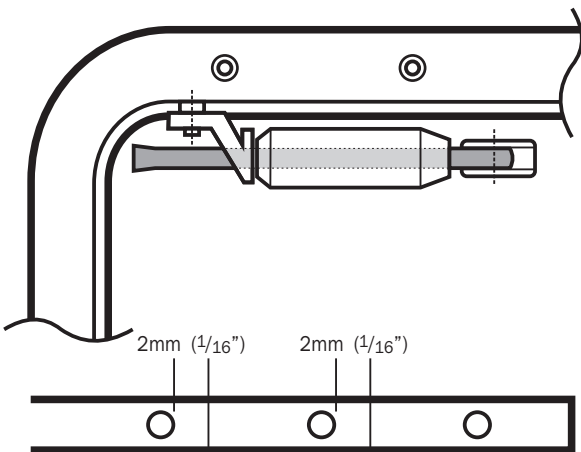
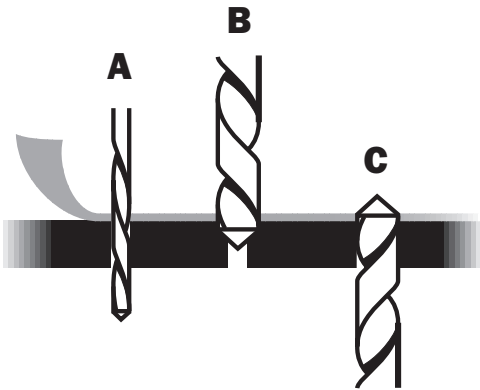
GB 3. WARNING – DO NOT DRILL THROUGH ACRYLIC IN ONE ACTION AS THE ACRYLIC WILL SPLINTER ON EXIT.

Cut the enclosed template to match hatch model and attach using tape.

A Position masking tape in the area to be drilled and using a sharp 5mm ($\frac{3}{16}$ ") bit at low speed drill pilot holes. **B** Drill 10mm ($\frac{3}{8}$ ") clearance holes **HALF** way through the acrylic using the pilot hole as a guide.

C Turn the hatch over and finish drilling holes from other side.

Place screw cap (4) and gasket (5) on outer surface of lid and fix with upper pivot (2) and screws from below.



GB 4. Metal Tube Installation. NOTE: The metal rod (1) has one flared end stop - do not cut this end.

The table shows the length of tube for each Low Profile Hatch. On hatches 10 to 54 the tube length is reduced by cutting 2mm away from the hole.

Cut 2mm ($\frac{1}{16}$ ") from hole		
Short Tube	Medium Tube	Full Length Tube(s)
Size 10	Size 40	Size 60
Size 30	Size 44	Size 70 (2 off)
	Size 50	
	Size 54	