

MODEL 7065 2 1/2" I.D. STEERING CYLINDER



This cylinder offers the very latest in design and engineering. It is entirely made of corrosion resistant materials. Heavy duty "U" cups are used to ensure positive sealing and long life. The cylinder can be ordered with the rod end secured with a jam nut.

Materials: Brass tube and piston. Endcaps and bearings are silicon bronze. Piston rod is stainless steel and hard chromed.

Design Pressure: 1500 psi (103 bar)

Weight: 25 lbs. (11.5 kg) 10" stroke
27 lbs. (12.3 kg) 12" stroke
31 lbs. (14.1 kg) 16" stroke

Effective Piston Area: 4.12 in² (26.6 cm²)

ORDERING INFORMATION

- B – Balanced cylinder
- U – Unbalanced cylinder
- 10 – With 10" stroke
- 12 – With 12" stroke
- 16 – With 16" stroke

Example: Balanced steering cylinder with rod end and 12" stroke, the ordering number is 7065-B12

Note: Other strokes are available on request. The 7065 foot is different from the 7065-S.

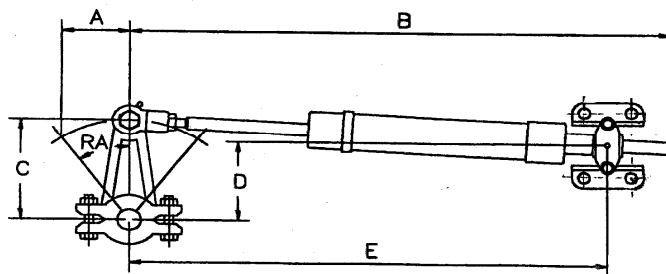
Balanced Cylinders Rudder angle 35°

Stroke		Torque*		Displacement		A		B		C		D		E	
in.	mm	lb-ft	kg-m	in ³	cm ³	in.	mm	in.	mm	in.	mm	in.	mm	in.	mm
10	254	2450	335	41.2	672	5	127	30.3	769	8.7	221	7.9	201	28.1	714
12	305	2940	405	49.5	803	6	152	34.3	870	10.5	266	9.5	242	31.1	790
16	406	3920	540	66.0	1082	8	203	42.3	1074	13.9	354	12.7	322	37.1	943

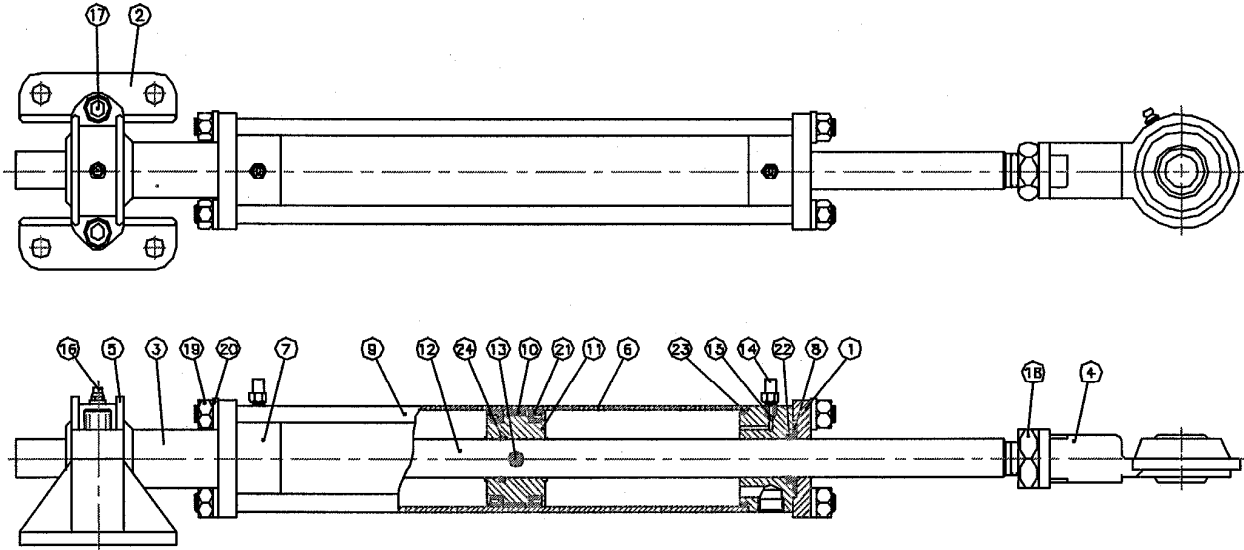
Rudder angle 45°

Stroke		Torque*		Displacement		A		B		C		D		E	
in.	mm	lb-ft	kg-m	in ³	cm ³	in.	mm	in.	mm	in.	mm	in.	mm	in.	Mm
10	254	1710	235	41.2	672	5	127	30.3	769	7.1	180	6.0	153	28.1	714
12	305	2060	285	49.5	803	6	152	34.3	870	8.5	216	7.2	184	31.1	790
16	406	2740	380	66.0	1082	8	203	42.3	1074	11.3	287	9.6	245	37.1	943

* Torque is based on 1000 psi (69 bar)



DIMENSIONS AND PARTS LIST MODEL 7065



Drawings show balanced version only

MODEL 7065-B

ITEM	QTY	PART NO.	DESCRIPTION	ITEM	QTY	PART NO.	DESCRIPTION
1	1	7065-0001	End Cap	13	1	7065-0016	Pin
2	1	7065-0002	Trunnion Foot	14	2	7040-0011	Bleeder Screw
3	1	7065-0003	Trunnion End Cap	15	2	1301-0005	Ball
4	1	7065-0004	Rod End	16	2	1501-0301	Grease Nipple
5	1	7065-0005	Trunnion Cap	17	2	1002-1432	Hex Skt Cap Screw
6	1	7065-0006	Cylinder Tube	18	1	1022-0268	Jam Nut
7	2	7065-0007	Rod Guide	19	8	1022-0163	Hex Nut
8	2	7065-0011	Retaining Washer	20	8	1023-0313	Lock Washer
9	4	7065-0012	Tie Rod	21	2	1102-0032	"U" Cup
10	1	7065-0013	Wear Ring	22	2	1102-2009H	"U" Cup
11	1	7065-0014	Piston	23	2	1101-0141	"O" Ring
12	1	7065-0015	Piston Rod	24	1	1101-0120	"O" Ring

Alternative parts for MODEL 7065-U

ITEM	QTY	PART NO.	DESCRIPTION	ITEM	QTY	PART NO.	DESCRIPTION
7*	1	7065-0007	Rod Guide	12	1	7065-0010	Piston Rod
7	1	7065-0008	Rear End Cap	24	1	1101-0118	"O" Ring
11	1	7065-0009	Piston	†	1	1022-0168	Hex Nut (piston)

* not shown

† item not shown in drawing