

# MODEL 7095D 5" I.D. STEERING CYLINDER



The 7095D cylinder is a development of the 7095 model. The castings are all made in die cast silicon bronze. The steel barrel is micro-honed for fine finish. Piston rod is made of alloy steel and tie rods are of stainless steel. The spherical bearings on either end are heavy duty type and would hardly require replacement. Piston seals are made of polyurethane material for durability.

The piston rod uses "V-packing" seals and has an adjusting stop nut for stroke adjustment.

Since this cylinder is designed and only available in an unbalanced configuration, tandem cylinders are always required for all installations.

### ORDERING INFORMATION

- 7095 - DU16 Cylinder with 16" stroke
- 7095 - DU20 Cylinder with 20" stroke
- 7095 - DU24 Cylinder with 24" stroke
- 7095 - DU30 Cylinder with 30" stroke

Max. operating pressure: 2000 psi (138 bar)

Rudder angle (RA) 35°

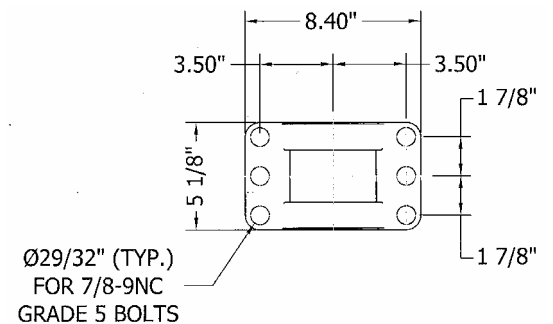
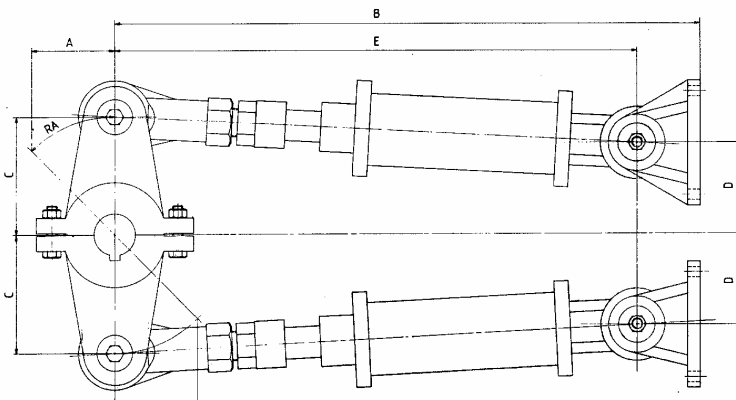
\*\* Torque is based on two cylinders at 2000 psi (138 bar)

**Torque		Stroke		Displacement		A		B †		C		D		E †	
lb-ft	kg-m	in.	mm	in <sup>3</sup>	cm <sup>3</sup>	in.	mm	in.	mm	in.	mm	in.	mm	in.	mm
65405	9043	16	406	550	9009	8	203	54.3	1379	13.95	354	12.7	322	49.5	1258
81750	11303	20	508	687	11262	10	254	60.3	1532	17.43	443	15.8	403	55.5	1411
98095	13562	24	610	825	13514	12	305	66.3	1684	20.92	531	19.0	483	61.5	1563
122605	16951	30	762	1031	16892	15	381	75.3	1913	26.15	664	23.8	604	70.5	1792

Rudder angle (RA) 45°

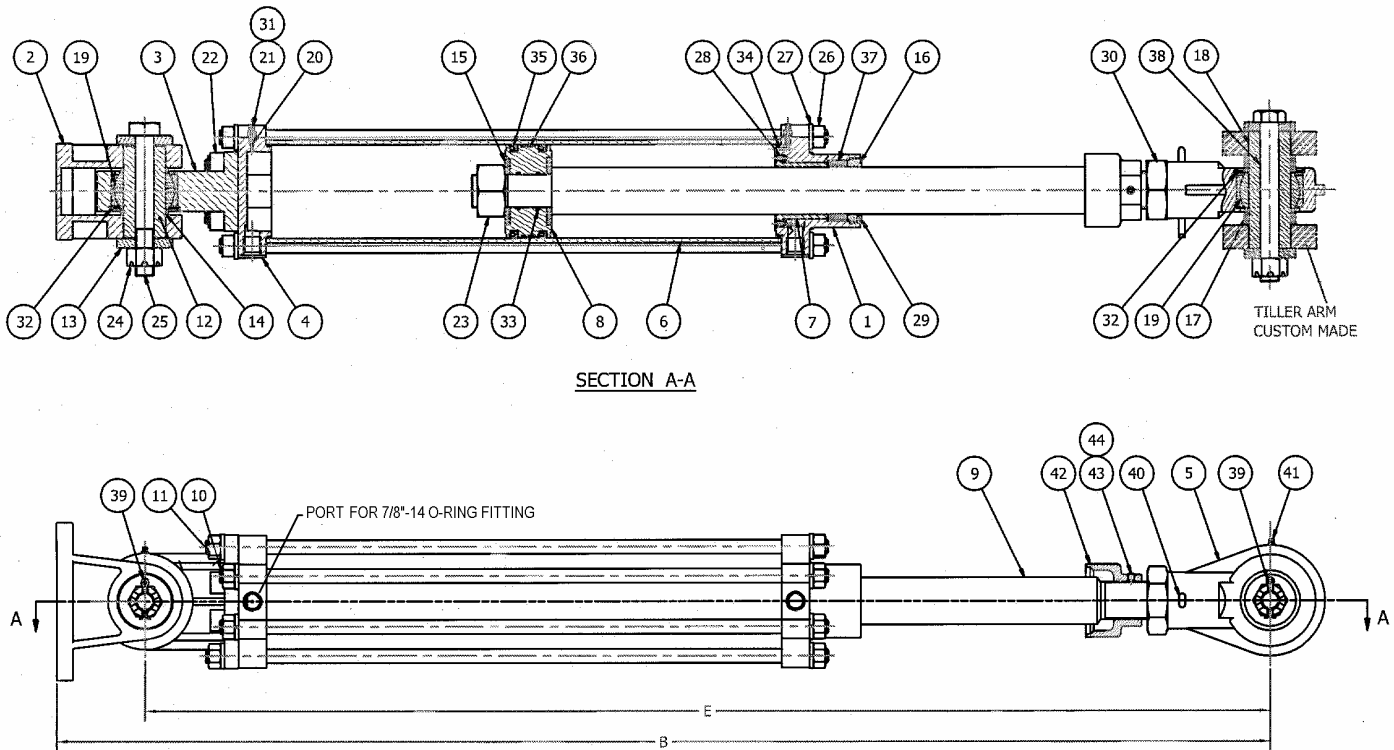
**Torque		Stroke		Displacement		A		B †		C		D		E †	
lb-ft	kg-m	in.	mm	in <sup>3</sup>	cm <sup>3</sup>	in.	mm	in.	mm	in.	mm	in.	mm	in.	mm
45785	6330	16	406	550	9009	8	203	54.3	1379	11.31	287	9.7	245	49.5	1258
57225	7912	20	508	687	11262	10	254	60.3	1532	14.14	359	12.1	307	55.5	1411
68660	9493	24	610	825	13514	12	305	66.3	1684	16.97	431	14.5	368	61.5	1563
85810	11864	30	762	1031	16892	15	381	75.3	1913	21.21	539	18.1	460	70.5	1792

NOTE † If order without adjusting stop nut, dimensions "B" & "E" can be reduced by 2 inches (51 mm)



FOOT MOUNTING DIMENSIONS

# DIAGRAM AND PARTS LIST MODEL 7095D



Item	Qty	Part No.	Description	Item	Qty	Part No.	Description
1	1	7095D-0001	Front end cap	23	1	1022-0180	Hex nut
2	1	7095D-0002	Foot	24	2	1022-0572	Hex castle nut
3	1	7095D-0003	Rear end cap no. 1	25	1	1001-72120	Hex rear bolt
4	1	7095D-1003	Rear end cap no. 2	26	16	1022-0167	Hex nut
5	1	7095D-0004	Rod end	27	16	1023-0318	Lock washer
6	1	7095D-0006	Tube	28	4	1016-1108	Hex set screw
7	1	7095D-0007	Bushing	29	1	1016-0804	Hex set screw
8	1	7095D-0008	Piston	30	1	1022-0285	Hex jam nut
9	1	7095D-0009	Piston rod	31	2	7094D-0015	Bleeder block
10	4	7095D-0010	Tie rod (short)	32	2	1029-3350	Retaining ring
11	4	7095D-0011	Tie rod (long)	33	2	1101-0224	O-ring
12	1	7095D-0012	Rear end bushing	34	2	1101-0248	O-ring
13	4	7095D-0013	Spacer	35	2	1102-2055	U-cup
14	2	7095D-0014	Rear bearing spacer	36	1	7095-0032	Wear ring
15	2	7095D-0015	Piston washer	37	1	7095D-0033	"V" packing
16	1	7095D-0016	Packing nut	38	1	1001-72136	Hex bolt
17	2	7095D-0037	Front bearing spacer	39	2	1026-0832	Cotter pin
18	1	7095D-0038	Front bearing bushing	40	1	1026-0248	Cotter pin
19	2	7095-5720	Spherical bearing	41	2	1501-0301	Grease nipple
20	2	1301-0005	Ball	42	1	7095D-0015	Stop nut
21	2	7040-0011	Bleeder screw	43	2	7095D-0017	Friction pad
22	4	1002-1824	Socket head cap screw	44	2	1016-1206	Hex set screw

Some items are not shown on diagrams

Data shown are for information only and subject to change without prior notice.



8238-129<sup>th</sup> Street, Surrey, B.C. Canada V3W 0A6  
Telephone 604-572-3935 Fax 604-590-8313